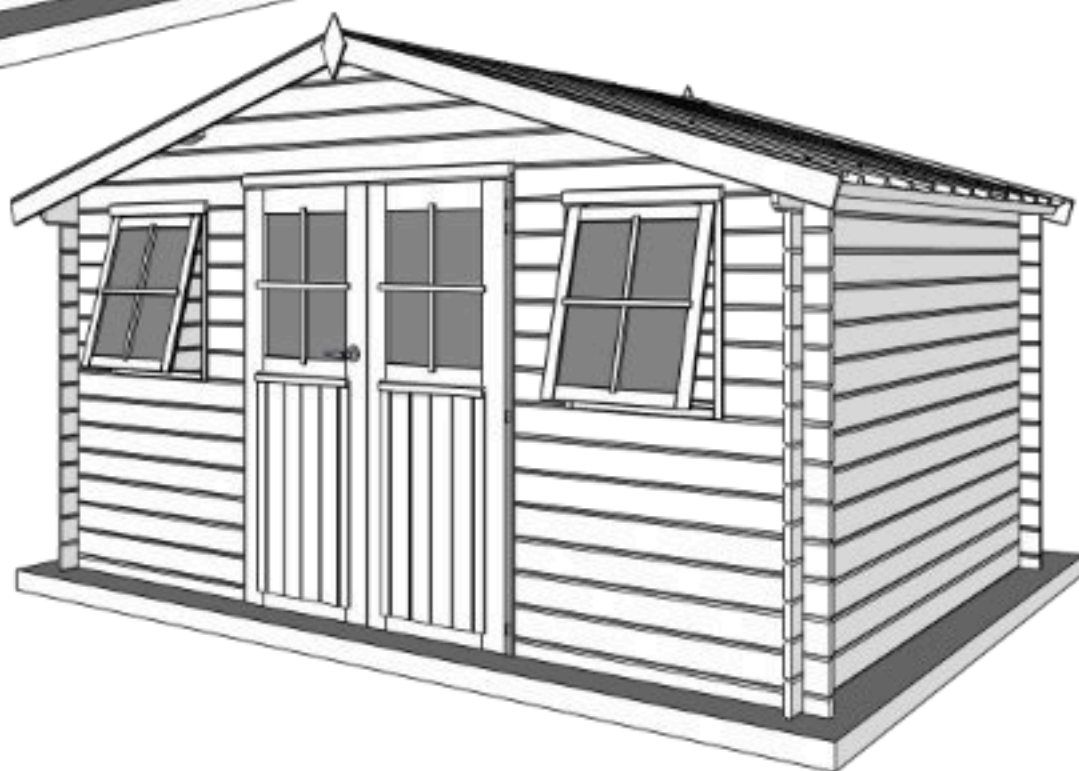


GENERAL ASSEMBLY INSTRUCTIONS FOR LOG CABINS WITH STEEL GABLE ROOFS

This brochure has been compiled for all our log cabins with steel gable roofs. The drawings may differ from the log cabin you have purchased.



GARDENAS

TIMBER GARDEN CONSTRUCTIONS

© Copyright, 2026, GARDENAS NV/SA, Wissenstraat 3, B-9200 DENDERMONDE - BELGIUM.

Version ZADAC/EN/2026/I

GENERAL ASSEMBLY INSTRUCTIONS FOR LOG CABINS WITH STEEL GABLE ROOFS

Congratulations on the purchase of your log cabin.

If you read the assembly instructions carefully, you will enjoy your purchase for many years to come.

IMPORTANT!

Before you start assembly, we would like to give you some important information that deserves your attention.

A You have purchased a log cabin made from an untreated natural product. The wood still needs to be treated to ensure a long lifespan. It is best to seek advice from a specialist in the field when choosing your treatment product and maintaining your log cabin. Only use products that penetrate the wood and protect it against moisture, wind and weather, as well as insects and fungi. Do not use products that are so viscous that they prevent a good connection between the tongue and groove and the corner joints. You only have the opportunity to treat the tongue and groove **before** assembly. It is very important **to treat** all parts **on all sides**. This means you must also treat **the inside of** the log cabin.

B It is best to install a waterproof concrete base that is 10 cm larger than the outer dimensions of the log cabin. It is extremely important that your log cabin is level and remains so. Please note that if your structure does not remain stable after installation, gaps and deformations may occur in the log cabin. Ensure that ground moisture and other moisture cannot penetrate the wood by providing adequate ventilation of the log cabin and treating **the inside of** the log cabin against moisture. The bottom logs of your log cabin deserve extra attention, as they will be most exposed to water. Therefore, treat them with extra care. Seal the connection between the log cabin and its base with silicone (not included). Anchor your log cabin to its base (e.g. with L-brackets, not included) to protect it from stormy weather.

C "Wood lives", a saying that also applies to your purchase. In concrete terms, this means that the height of the log cabin varies depending on the humidity. If you install vertical or horizontal structures (e.g. shelves, electrical wiring, storm braces, etc.), you must ensure that you do not impede this natural movement of the wood. If you connect the wood vertically in certain places, gaps will appear between your logs during periods of low humidity, often resulting in deformation of the log cabin. Do not be alarmed if you notice a gap above the door and window during the assembly of your log cabin. These are designed to accommodate shrinkage and expansion. We supply matching cover strips to conceal this gap.

D Remove the parts of your log cabin from the packaging two days before assembly. This will allow the wood to acclimatise to the humidity. Place the logs slightly apart, sheltered from rain and sun. Now carry out a full check using the enclosed parts list. Complaints about materials will not be accepted if the parts have been painted. Complaints must be submitted to us no later than 8 days after delivery.

E Wood is a natural product. This means that slight variations may occur. What are **acceptable** variations?

- Knots,
- Fallen knots that no larger than a thumb,
- Fallen knots or slight damage to the edges (tongue and groove) if coverage is guaranteed during assembly,
- Discolouration in the wood,
- Straight cracks that do not split the board, splitting cracks that are no longer than 12 cm,
- Resin pockets of max. 5 cm,
- Wood that is slightly bowed, if construction is still possible (the pressure of the roof will usually keep the log straight).

F Ensure that your log cabin is **anchored** to its base (e.g. L-bracket, not supplied). Also ensure that you have effective vertical storm bracing that takes into account the tips mentioned in point C 'Wood lives'. Gardenas dealers sell our special storm bracing products.

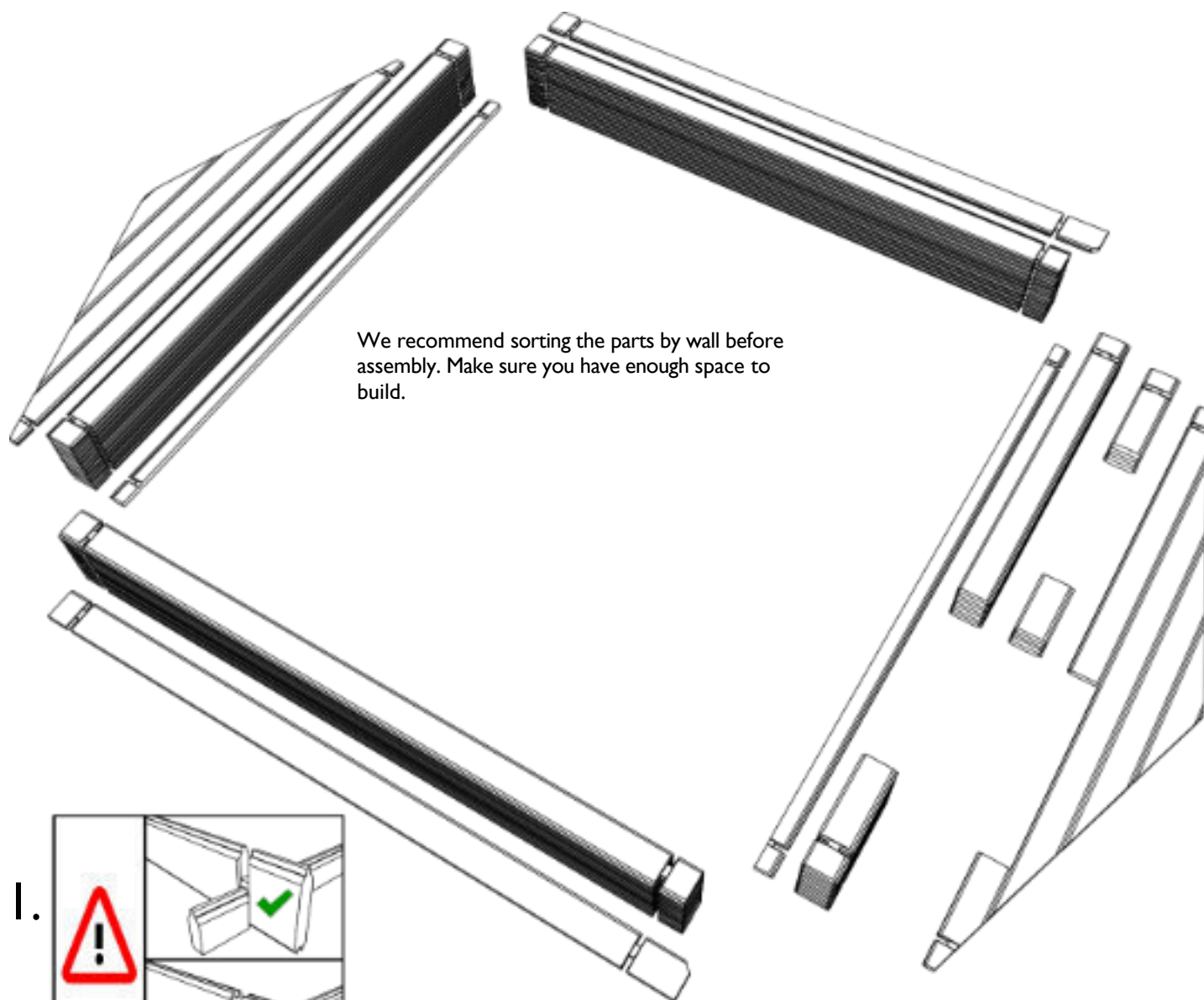
G Do not use nails or screws when assembling the walls. The pressure of the roof with the storm bracing will ensure that your log cabin remains standing. To prevent splitting, we recommend that you pre-drill with a drill bit that is smaller in diameter than the screw.

H Is a part damaged during assembly, or are you having trouble figuring it out?

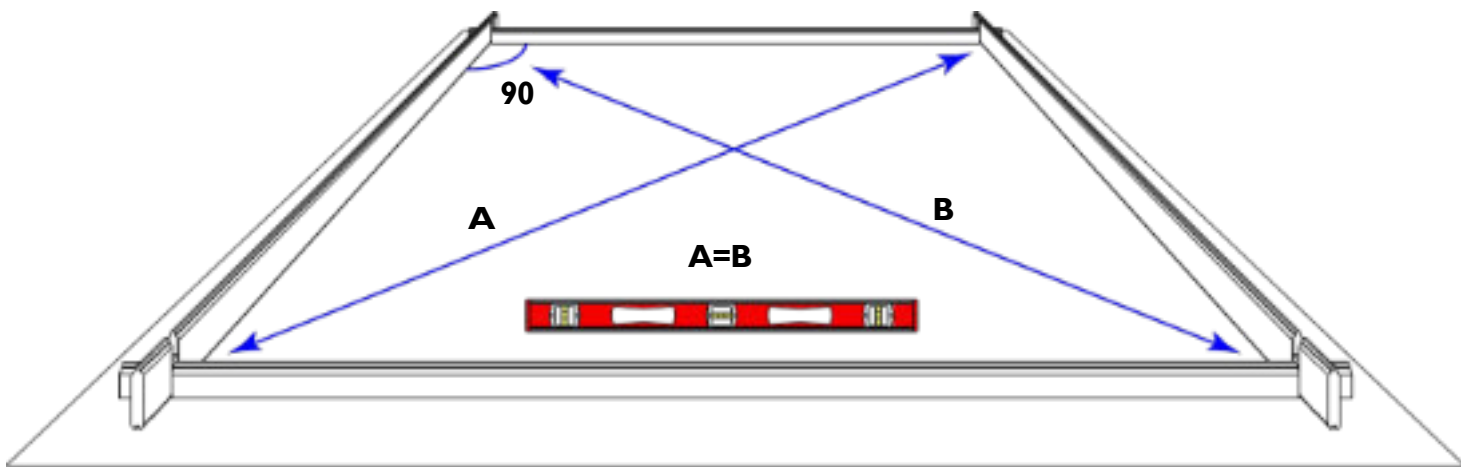
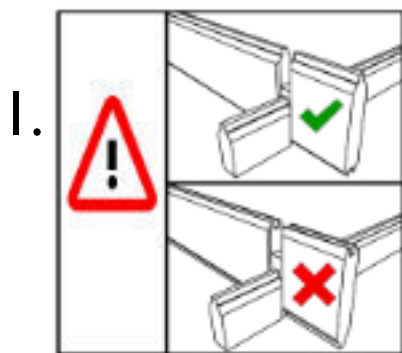
Our after-sales service is at your disposal:

- during office hours by telephone: +32 (0)52 21 95 71
- by fax: +32 (0)52 22 09 03 or
- by e-mail info@gardenas.be
- If you notice any damage to the package, please let us know within 48 hours.

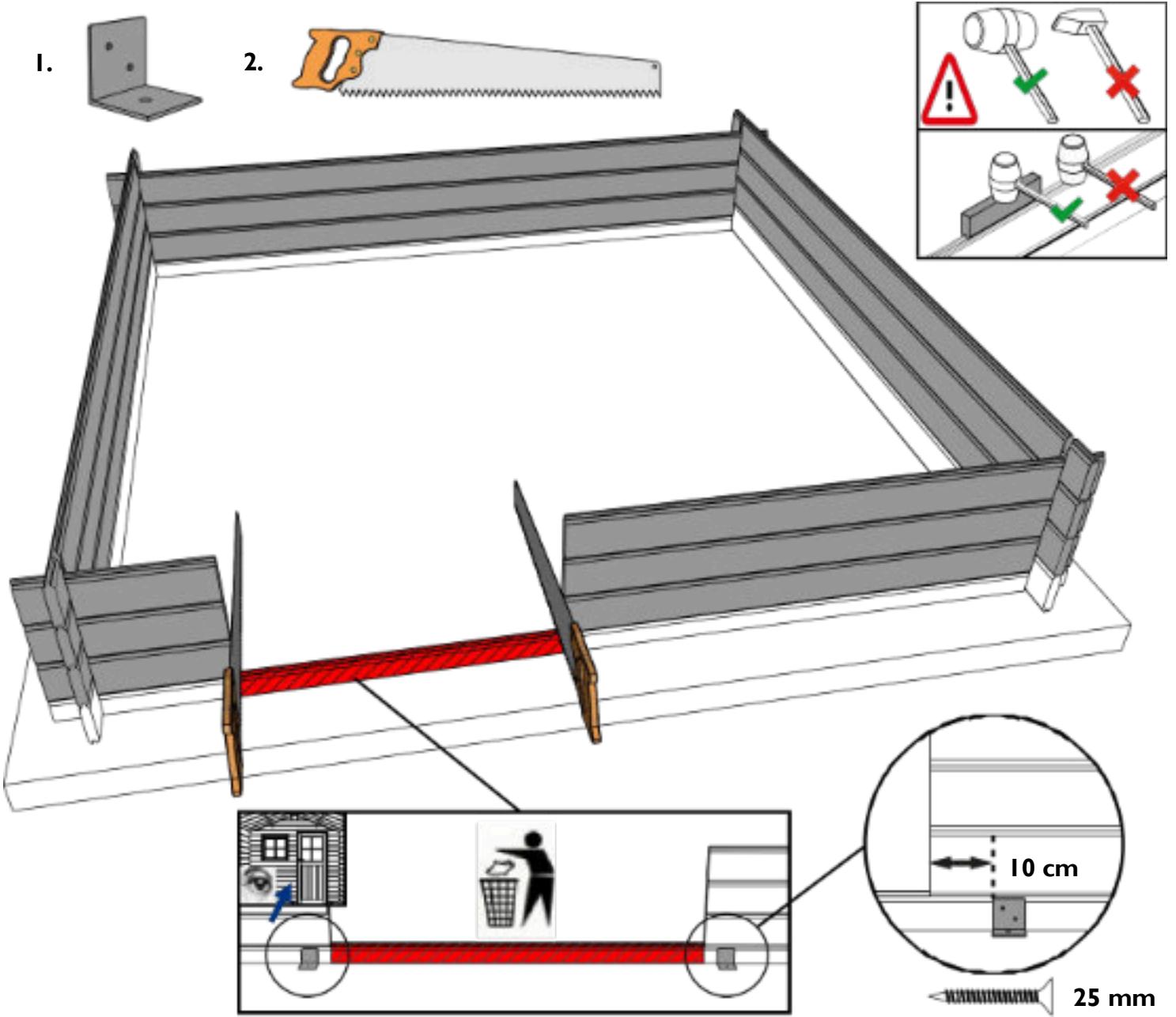
After you have checked the accompanying parts list, you can start assembling.
What do you need? A saw, a try-square, a piece of auxiliary wood, a screwdriver (preferably battery-powered or electric), two ladders, a rubber mallet, a drill, and silicone. At least two adults are required for assembly.
Keep children and pets away during assembly.



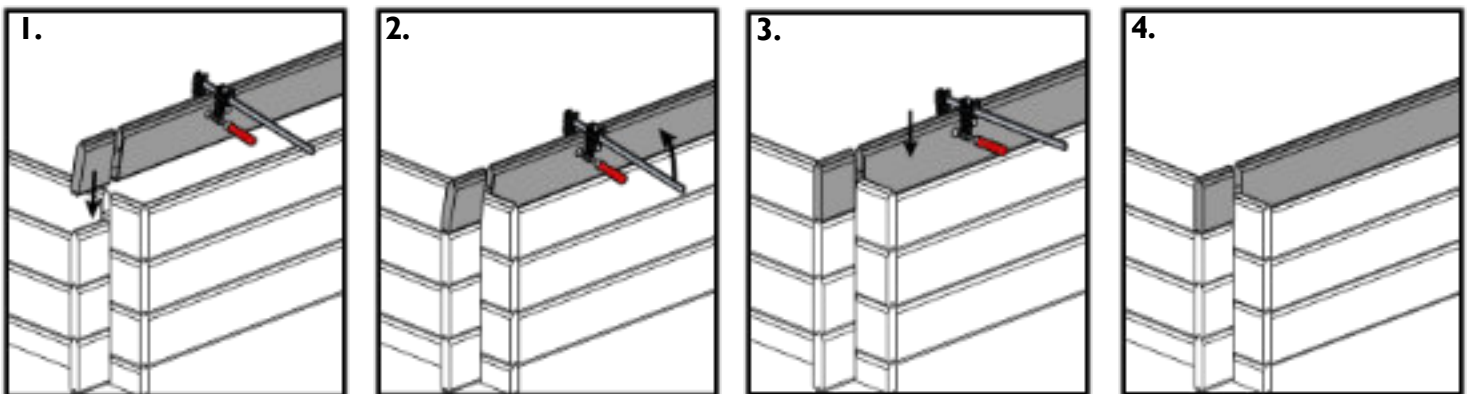
We recommend sorting the parts by wall before assembly. Make sure you have enough space to build.



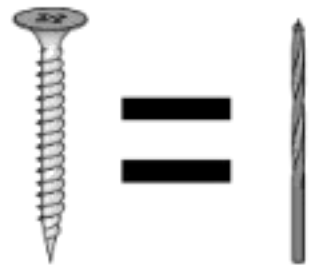
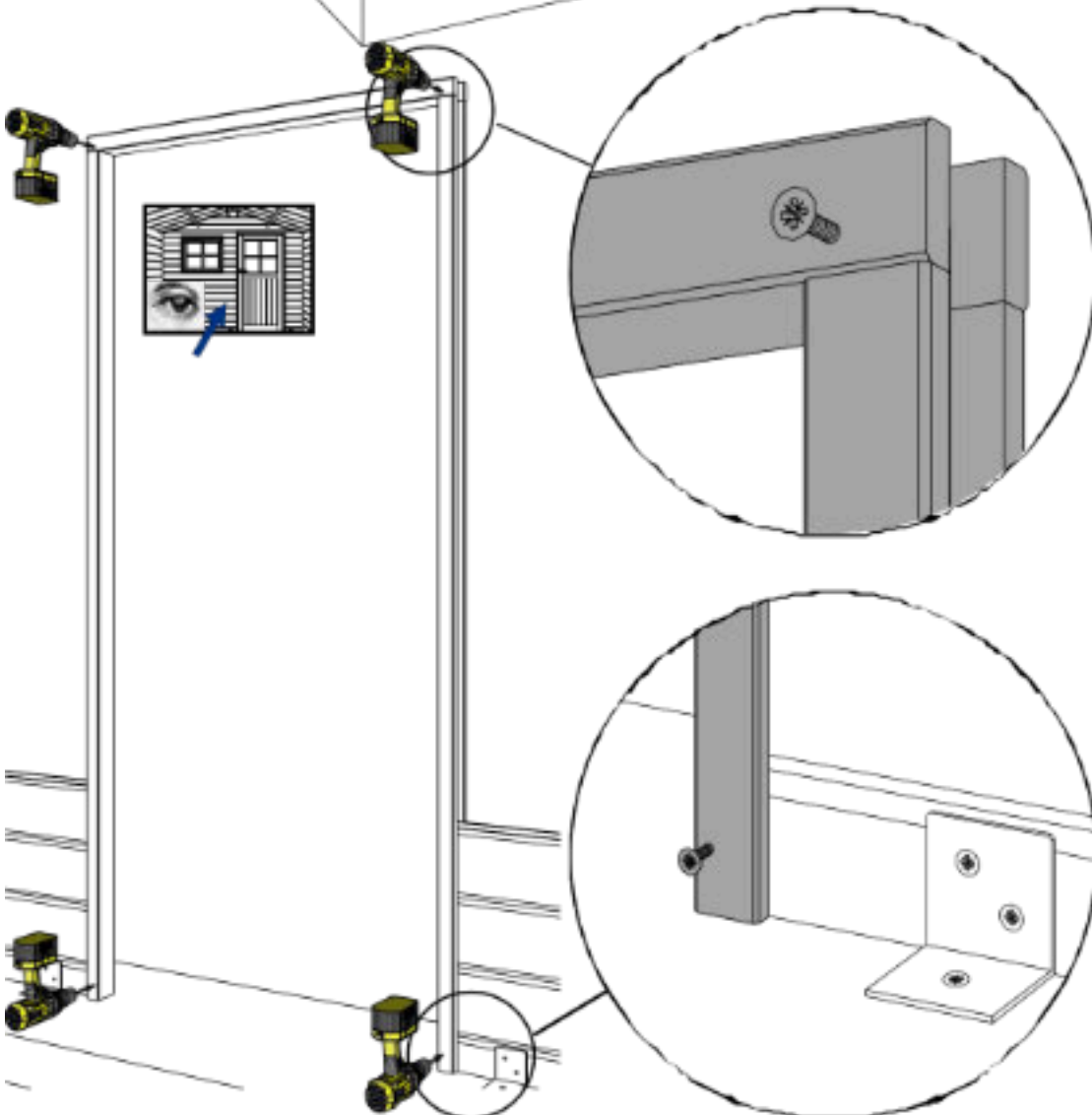
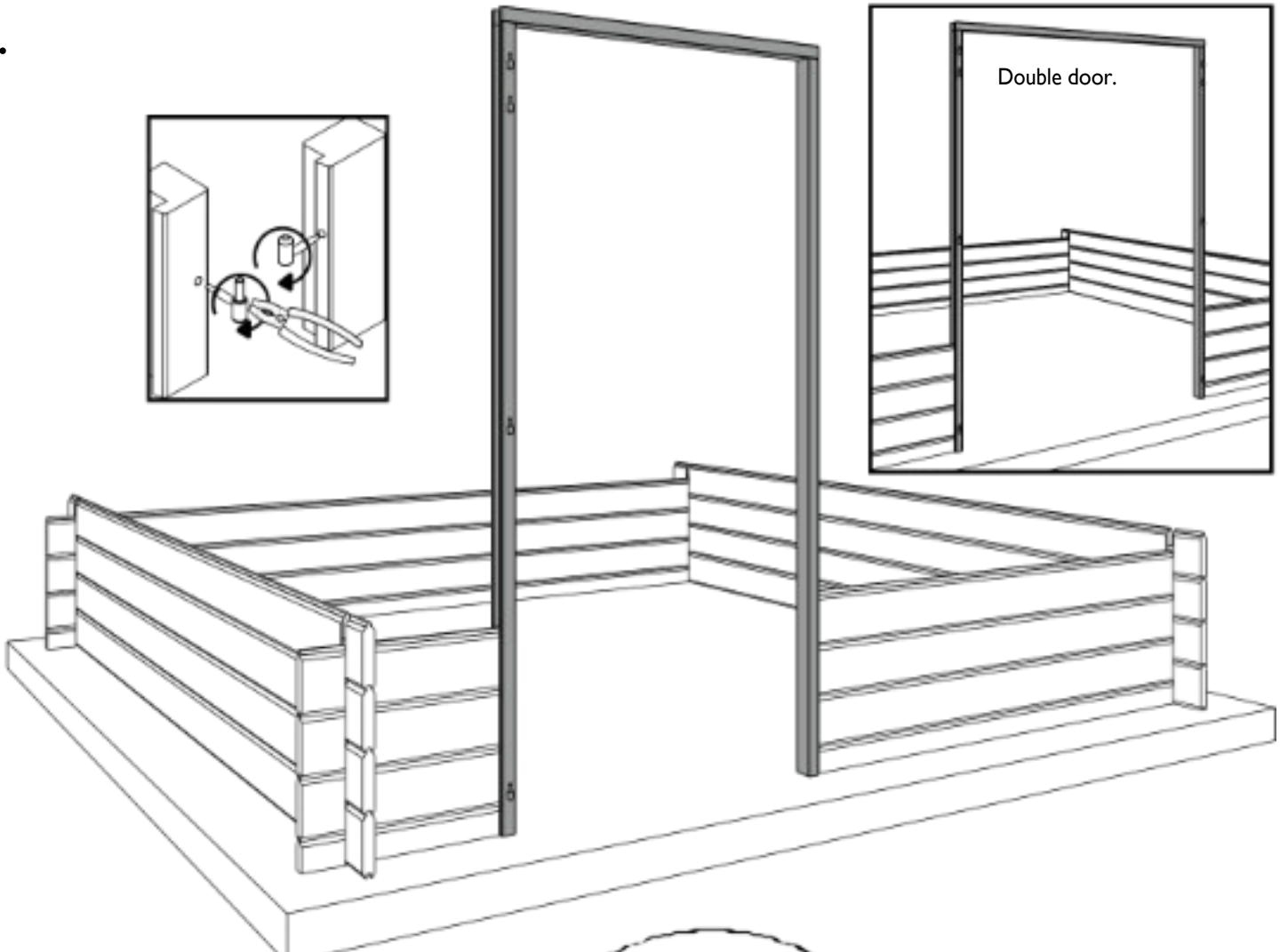
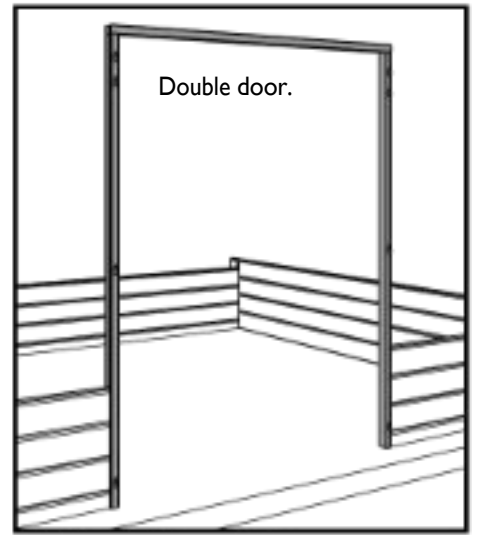
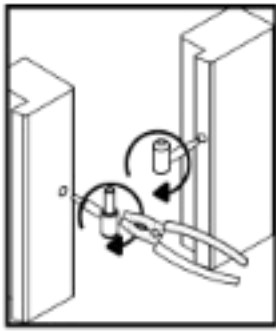
2. If the door is not in the centre of the model, you can choose which side to place the door on. **Please note:** first install the **iron angle brackets**, then **saw**. The piece you saw off is waste. **Never** mount this above the door! For further assembly, also consult the plans for the walls in the parts list. To keep everything square, you should anchor **each** bottom log to the base using angle brackets and concrete plugs (not included). Gardenas dealers sell special storm bracing for this purpose.



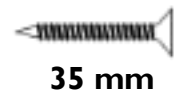
If a warped/crooked log does not fit:



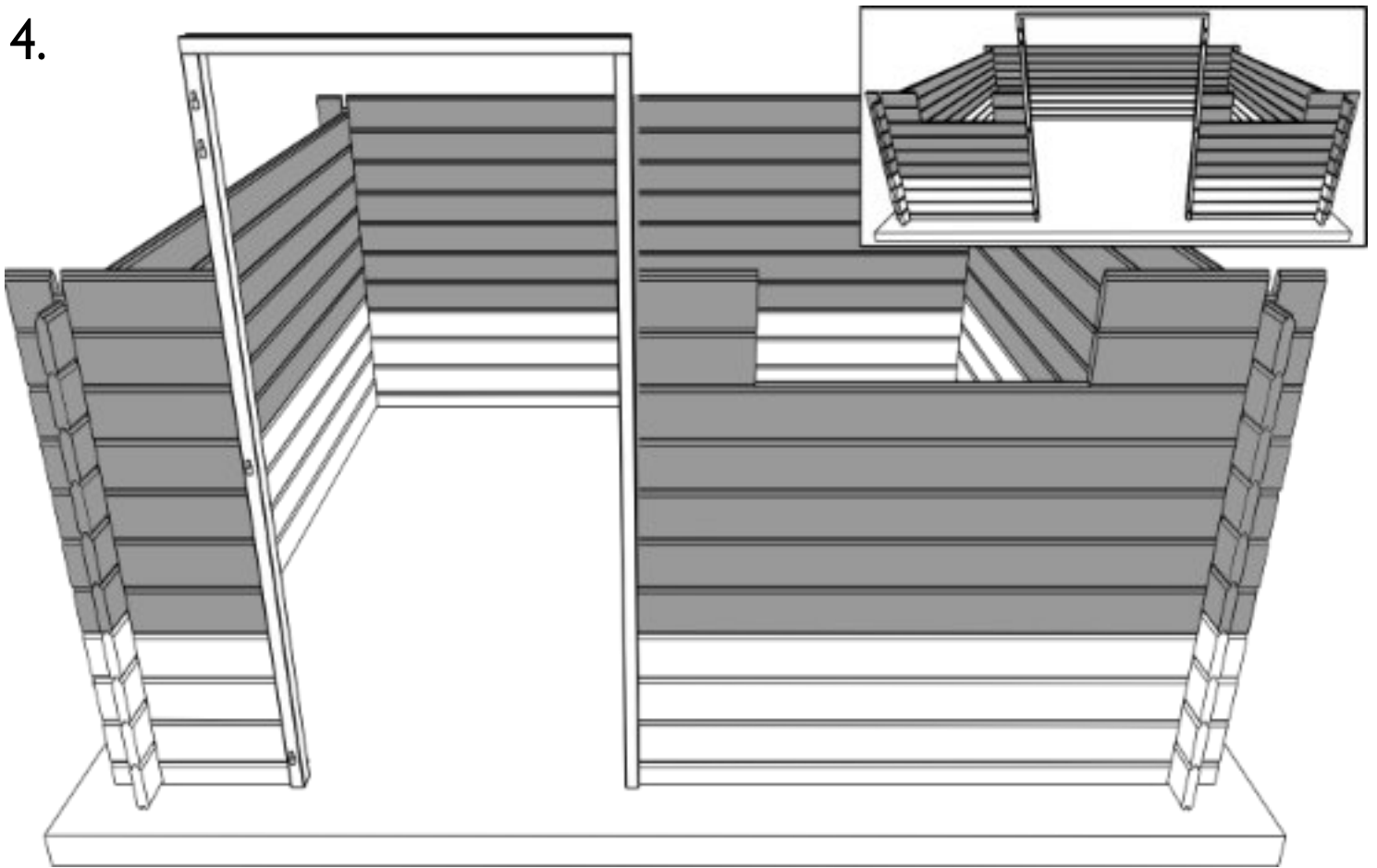
3.



Screw = Pre-drill!
To prevent wood from splitting when screwing, always pre-drill with a drill bit with a diameter equal to the diameter of the screw core.

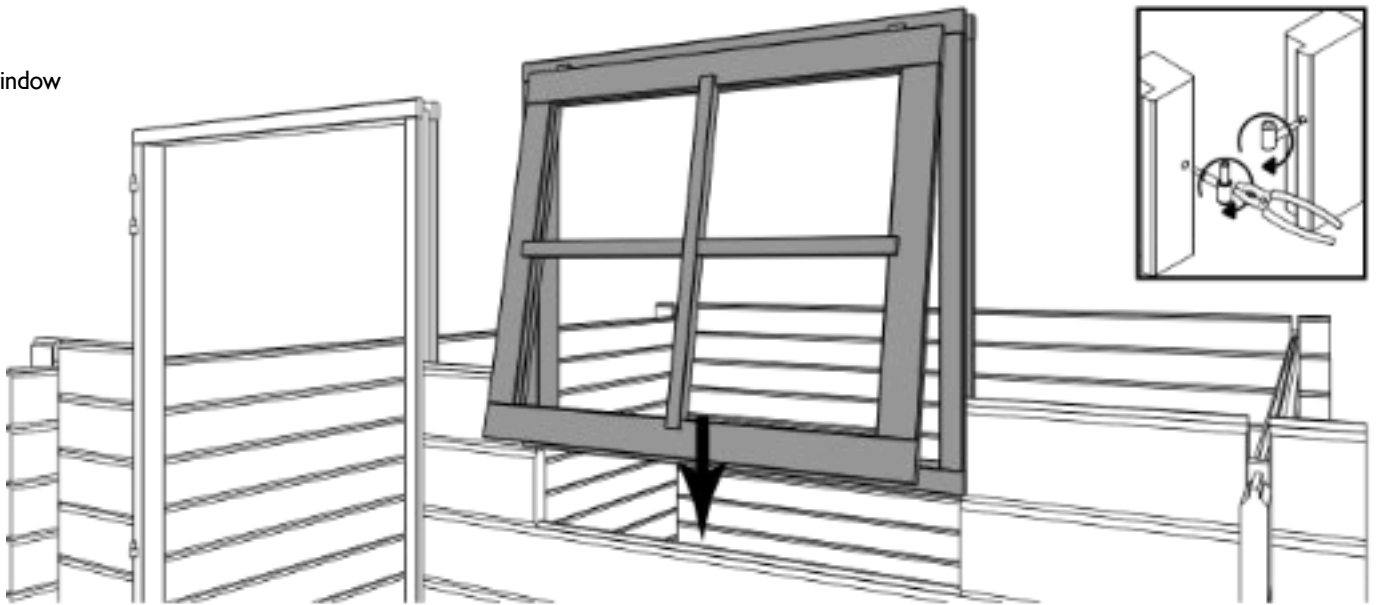


4.

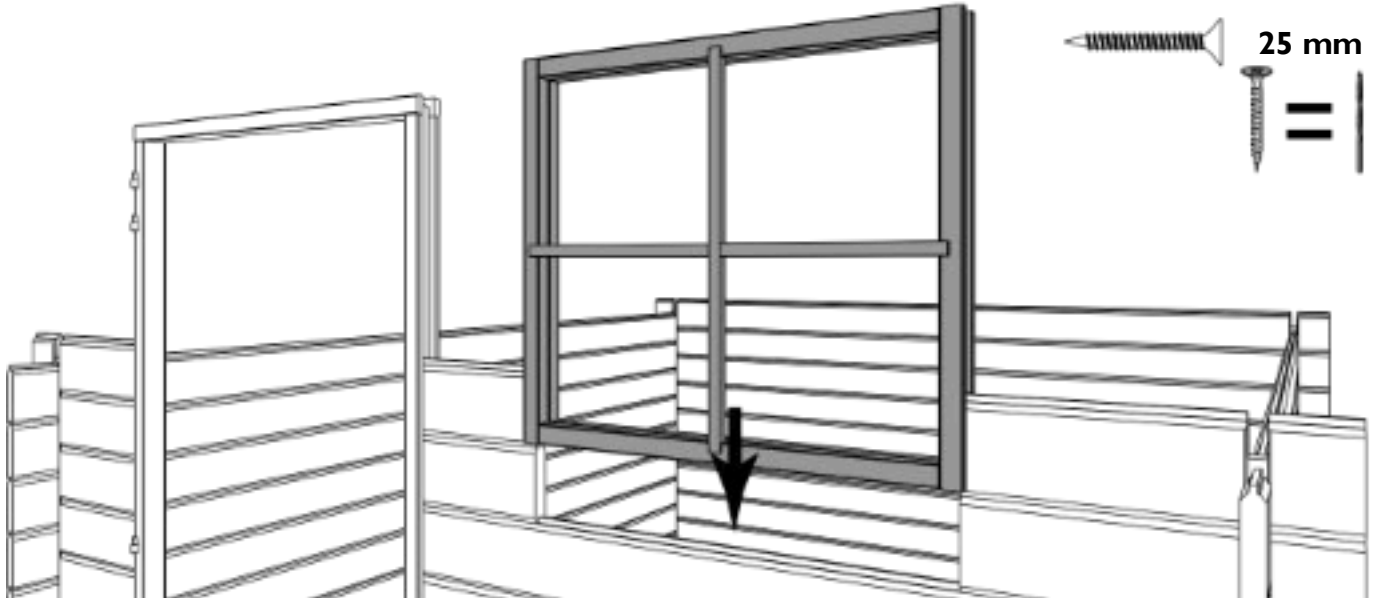


5.

Opening window



Fixed window

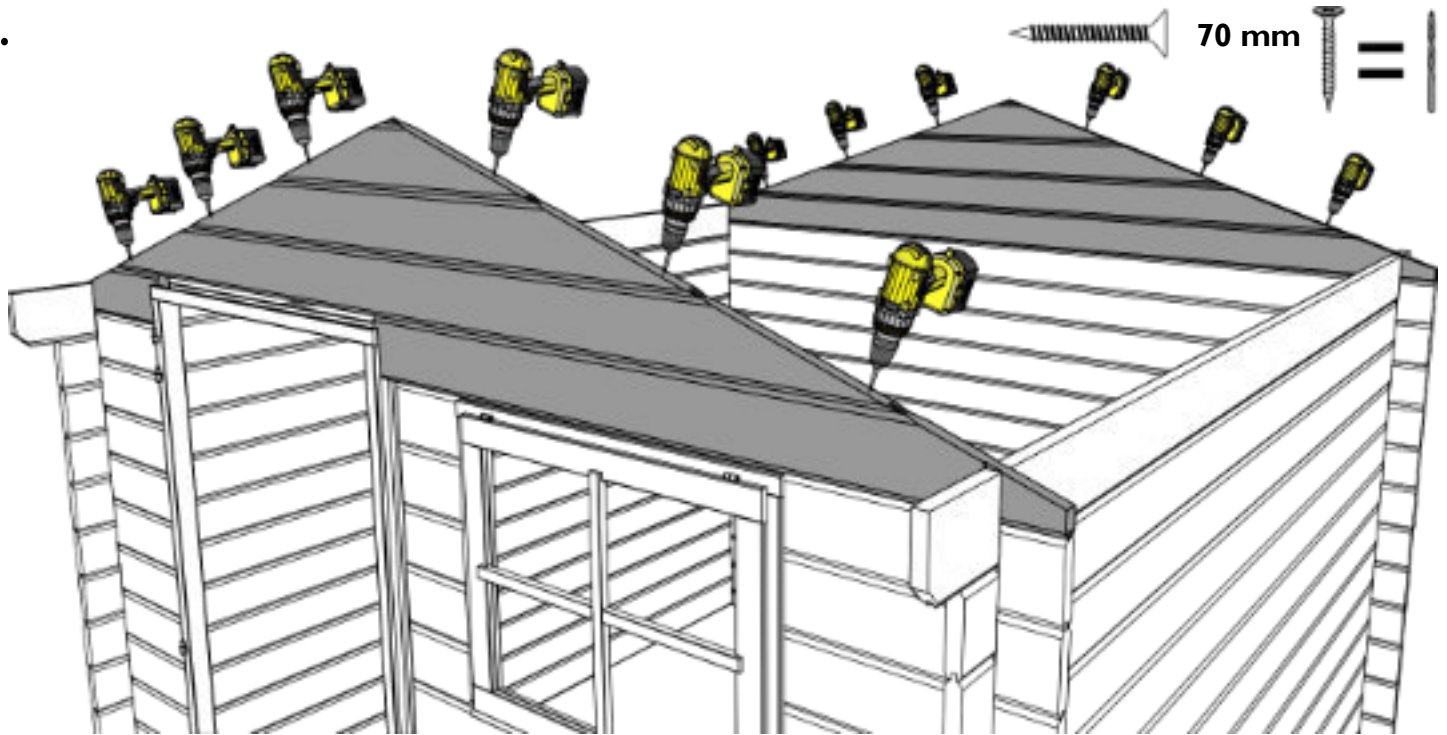


6

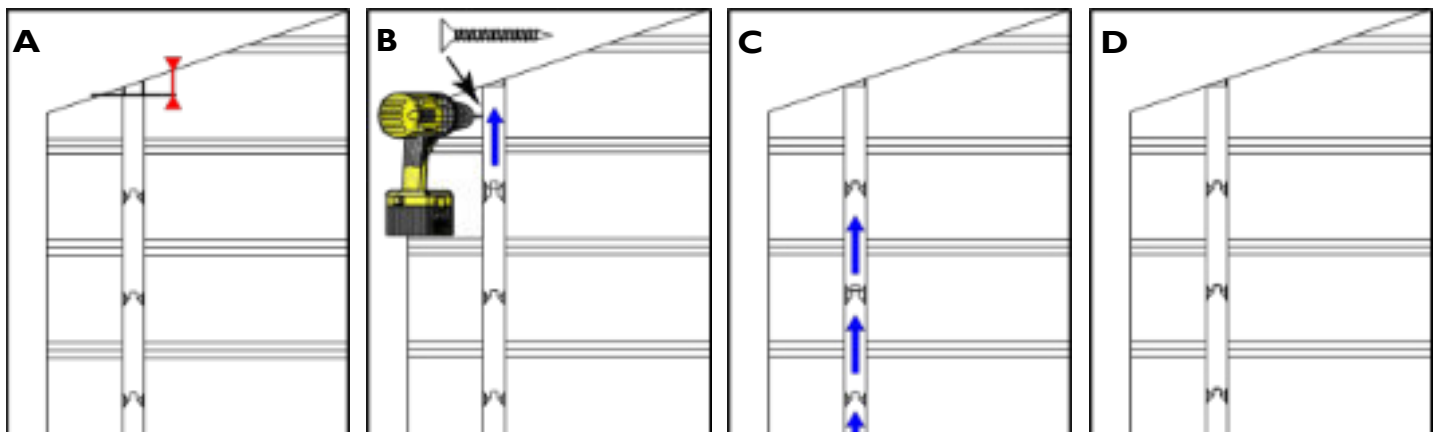
6.



7.

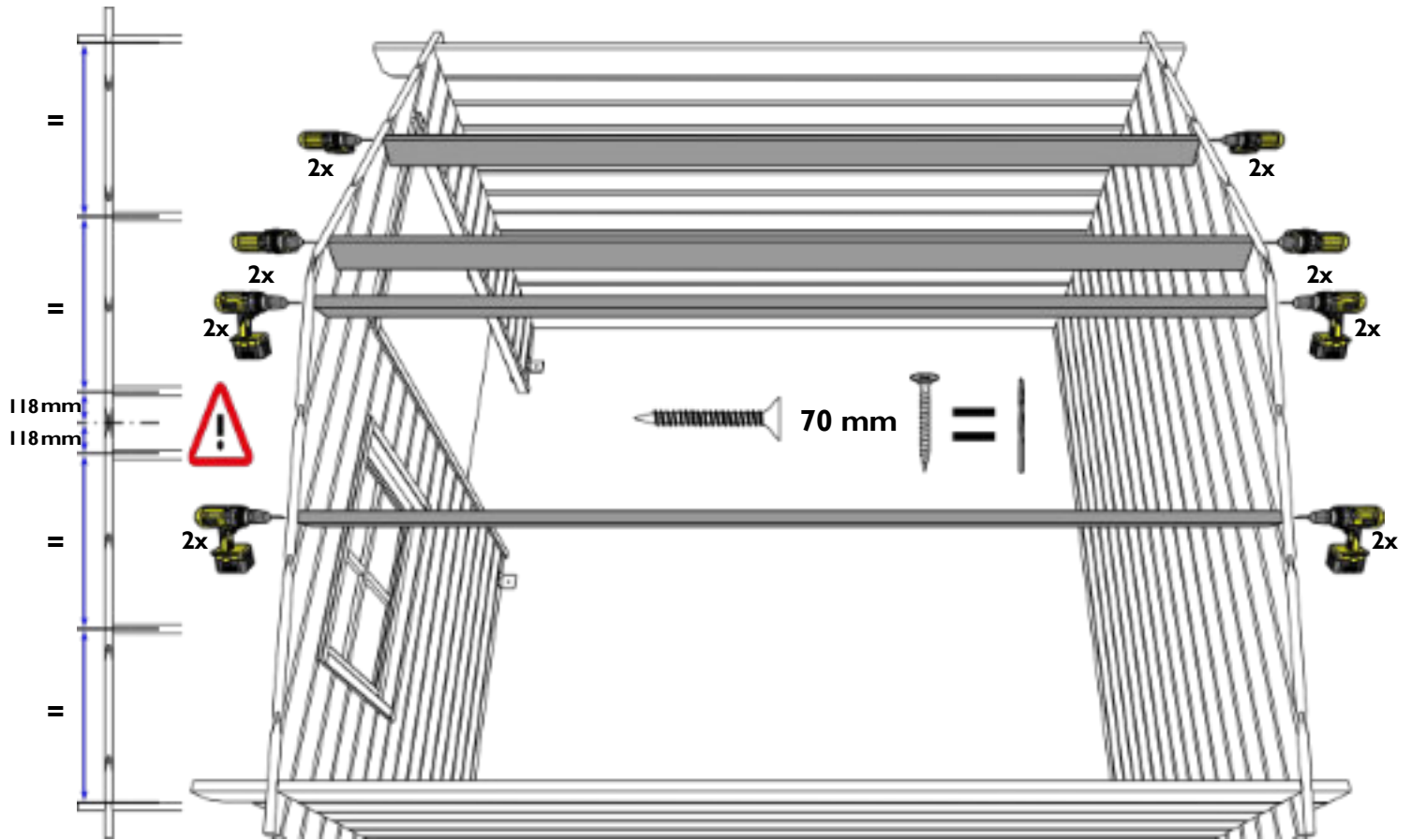


If there are height differences between the walls, check that the logs fit together properly. To compensate for a height difference (detail A), align the top log with the gable and screw them together (detail B). Now, gently tap the lower logs up by one by one (detail C) to distribute the gap evenly across all logs (detail D).

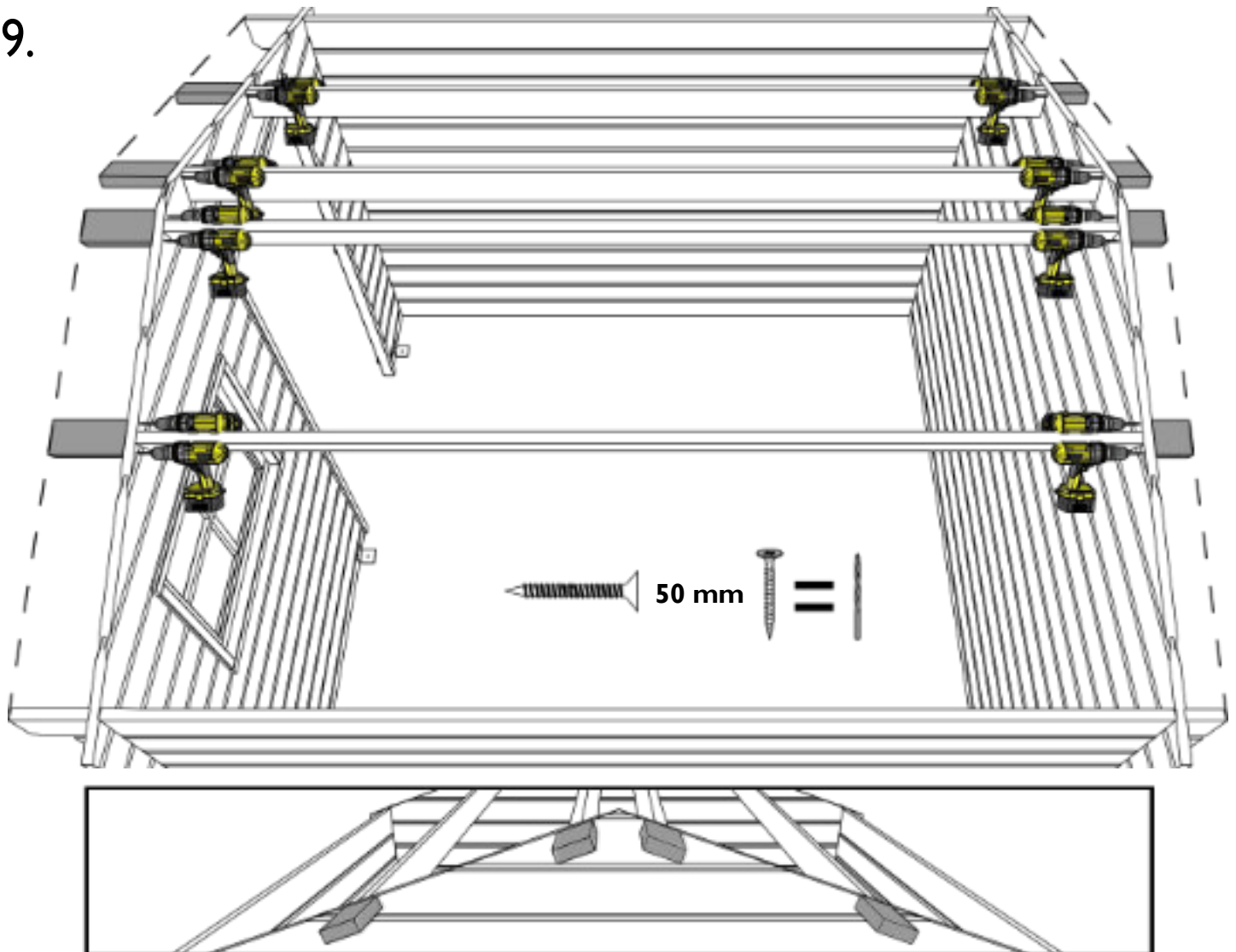


8.

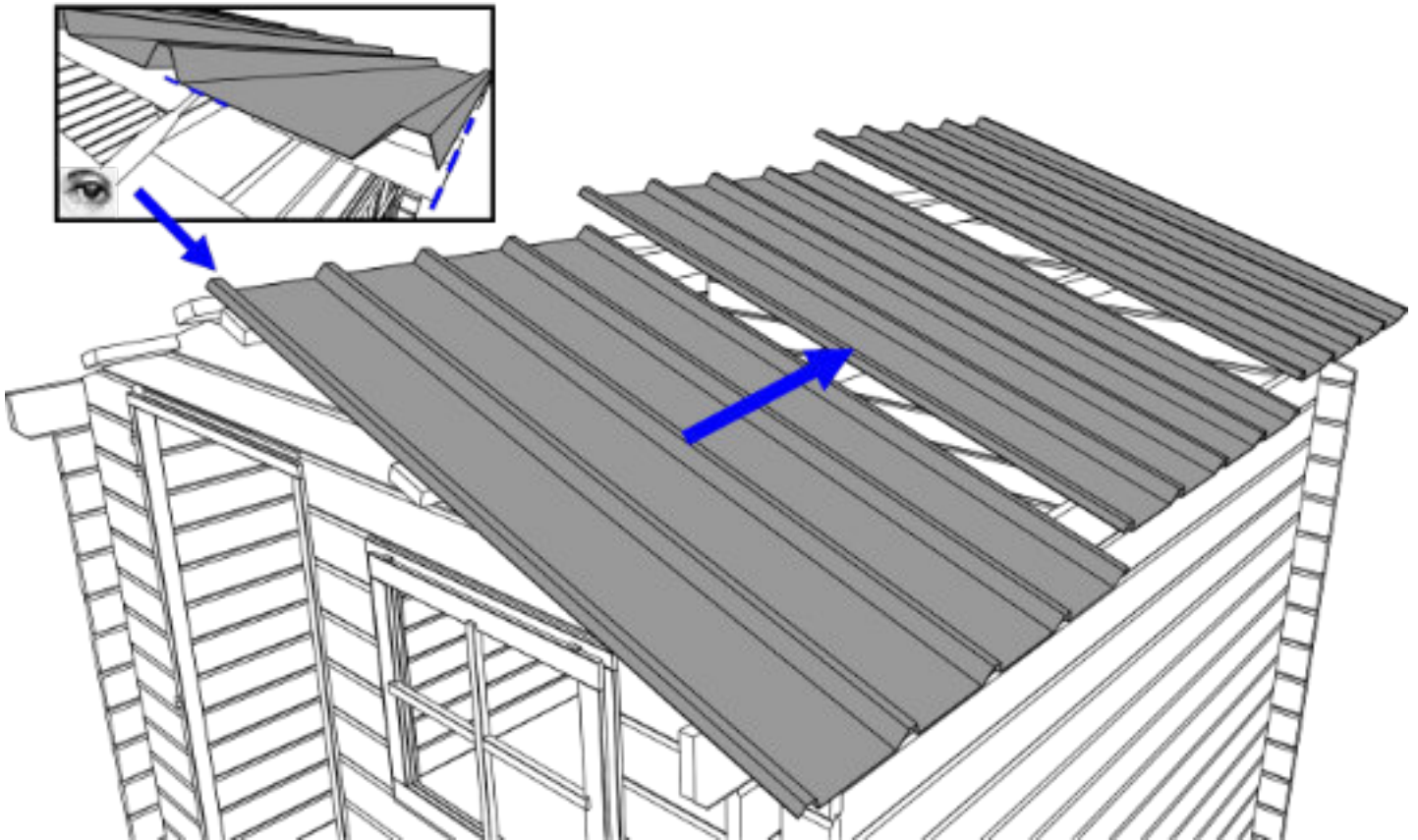
The number of roof rafters in this drawing may differ from the log cabin you have purchased. See parts list. Assemble the ridge beams as indicated in the drawing (respect the distances). Distribute the remaining rafters symmetrically!



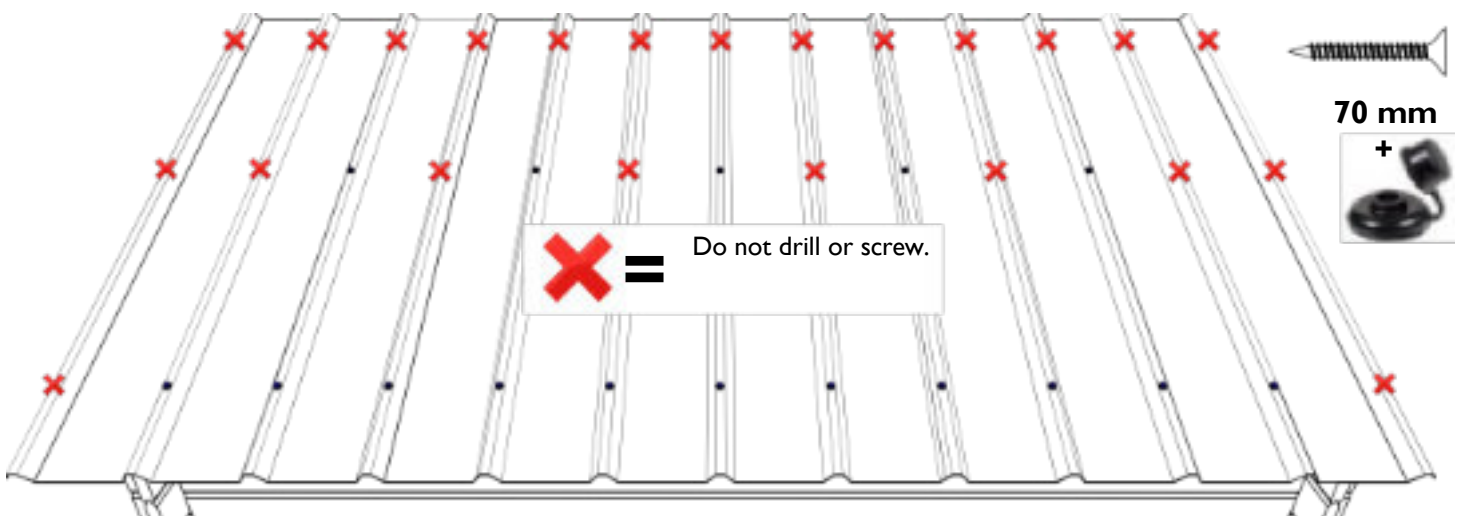
9.



10. Position the sheets so that the outer corrugation **without** fabric overlaps the corrugation of the previous sheet. To make it easier to position the sheets later, it is best to mark the location of the roof rafters with a pencil. **Important!** Do not fix the sheets permanently yet. Fix each sheet provisionally with one screw so that you can still make any necessary adjustments.

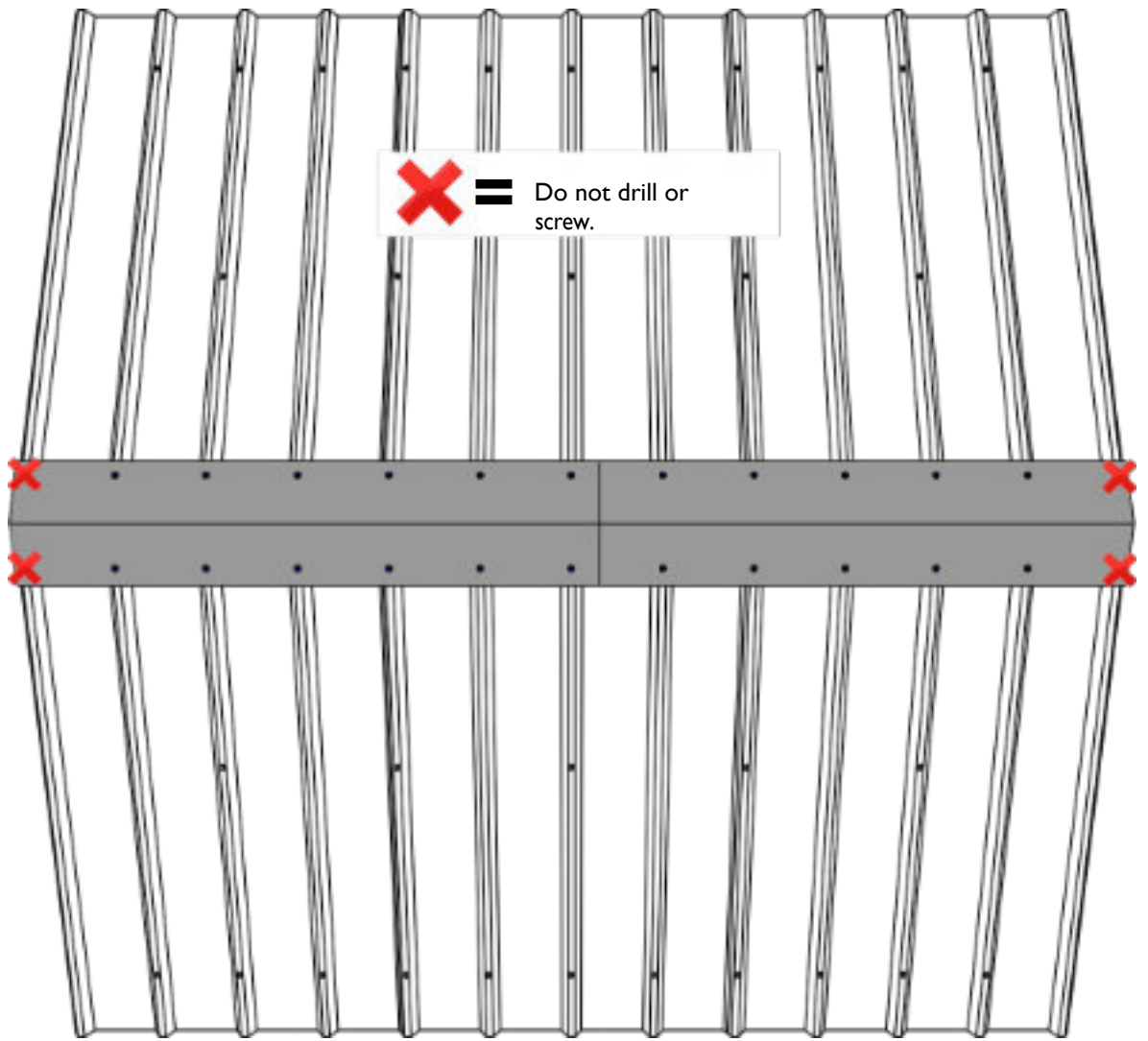
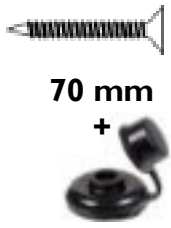


11. Study the drawing below carefully. Repeat the middle pattern on each additional roof rafter. After checking that the sheets are properly aligned, **drill holes** using a 5 mm steel drill bit. **Important!** Always drill through a corrugation and never through the flat part of the sheet. The corrugations marked with a **cross** are **not** drilled (yet). Do not forget to remove the iron filings from the drilling to prevent rust stains. Use the 70 mm screws with caps.



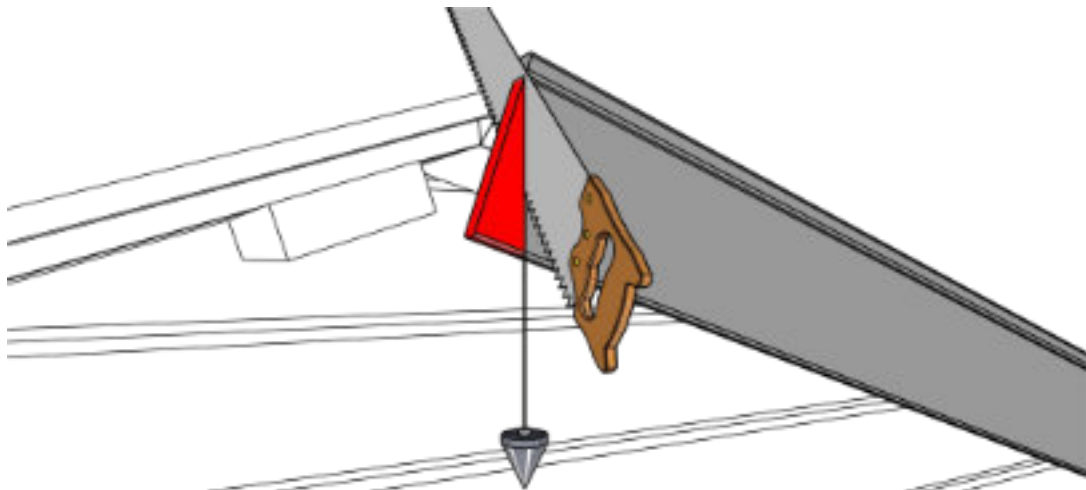
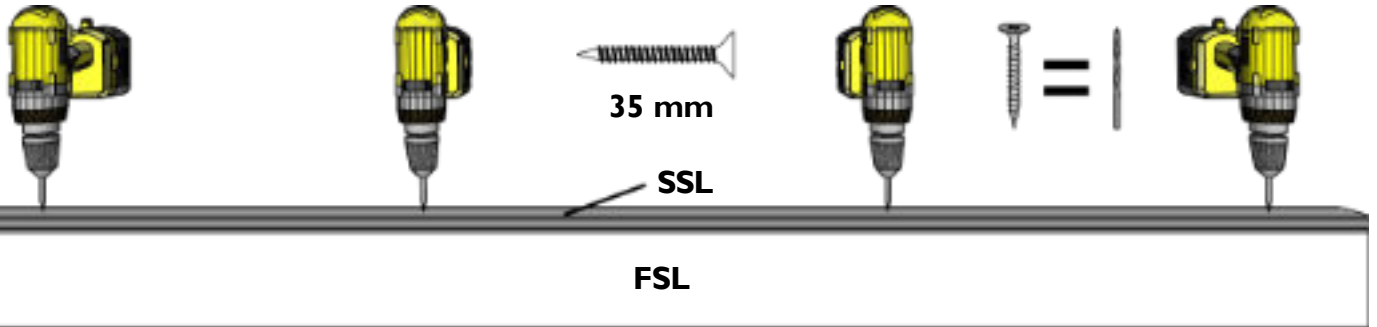
Repeat steps 10 and 11 on the other side.

12.

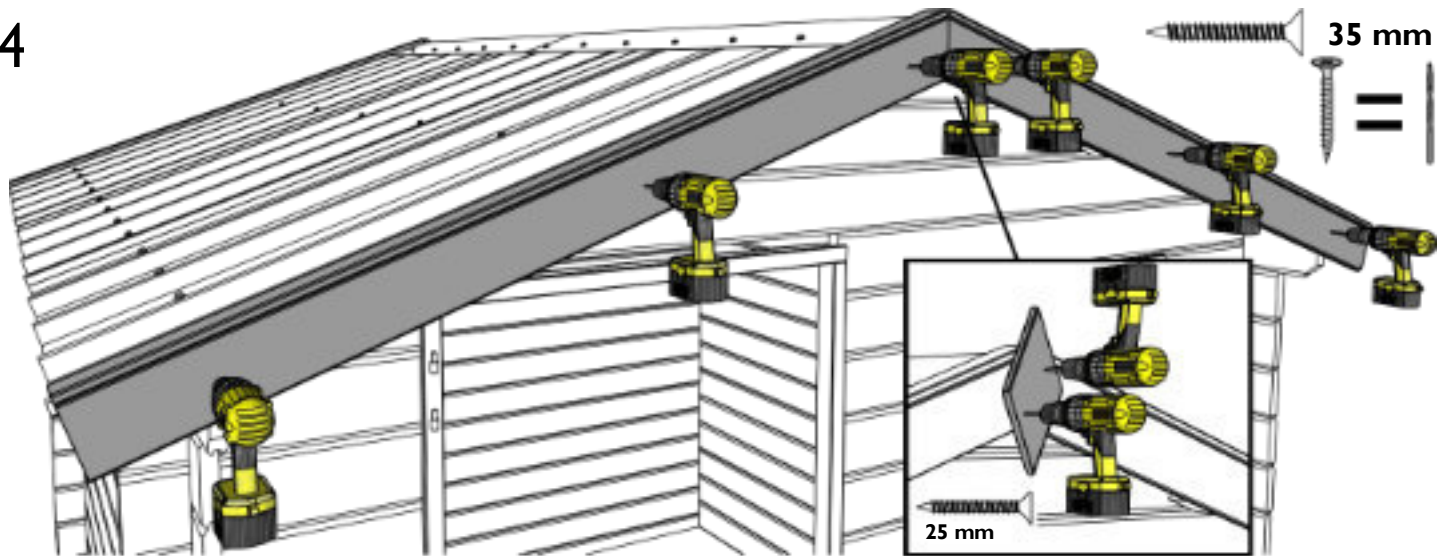


Caution! Impregnate the lower part of the anti-condensation fabric that protrudes **beyond** the side walls with a clear varnish. This prevents the anti-condensation fabric from absorbing **water** and prevents **moss formation**.

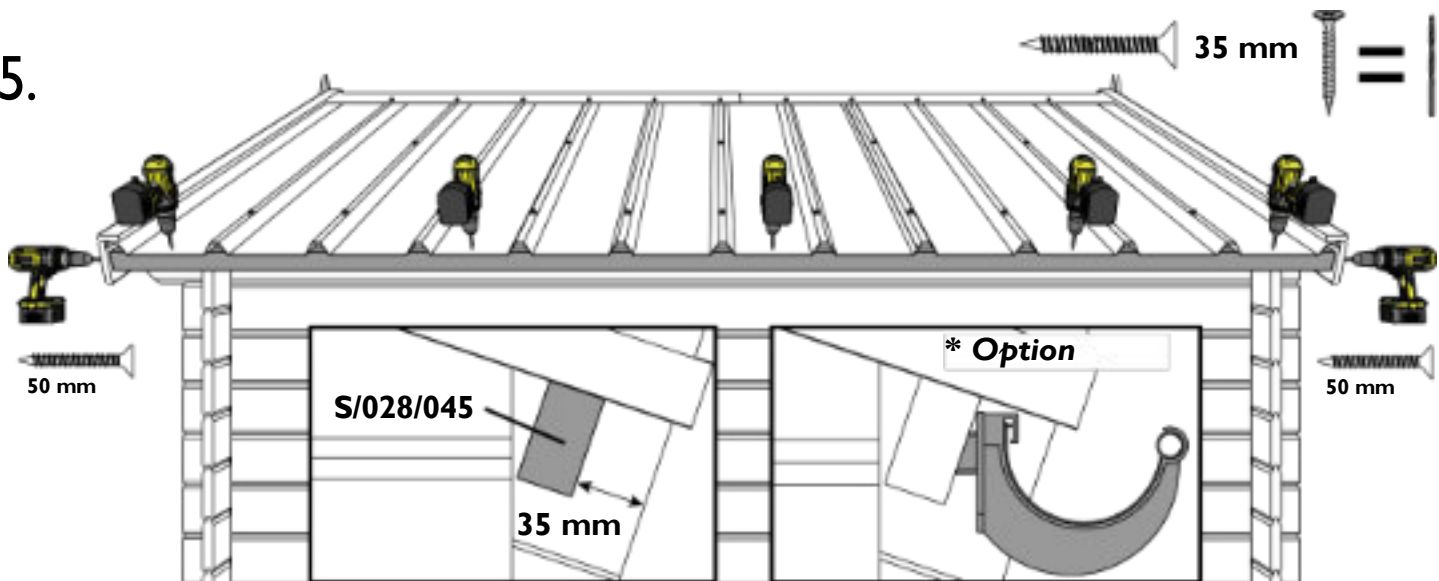
13.



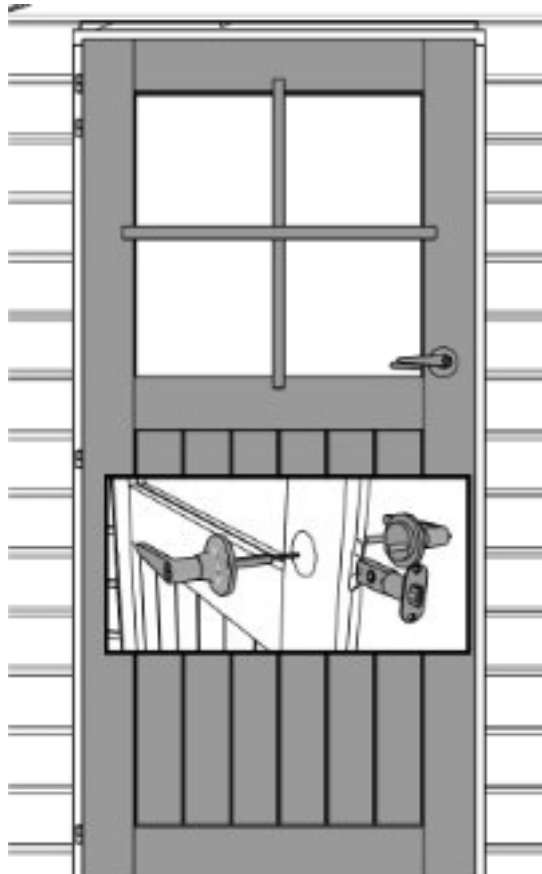
14



15.

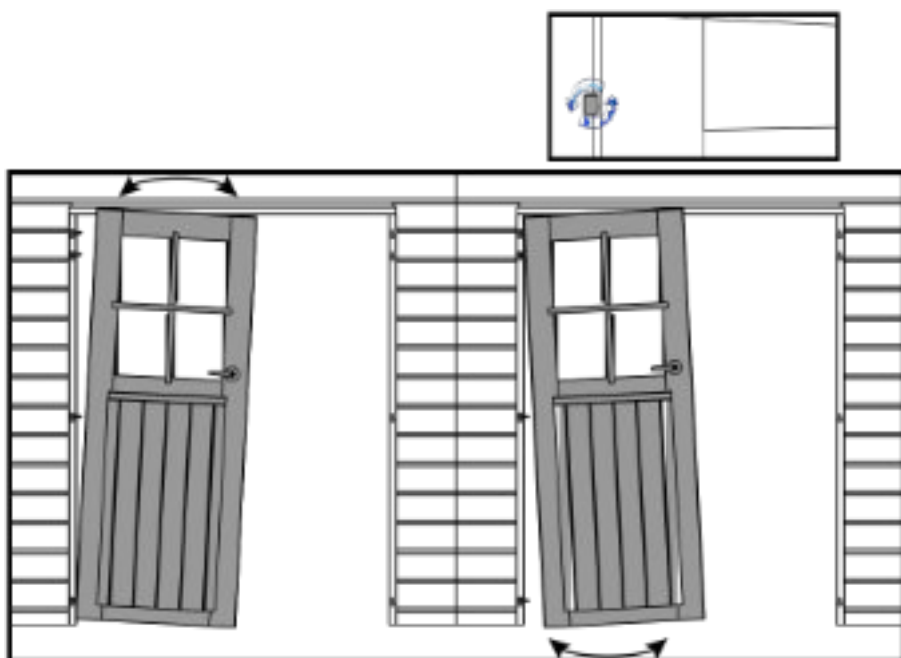


16.

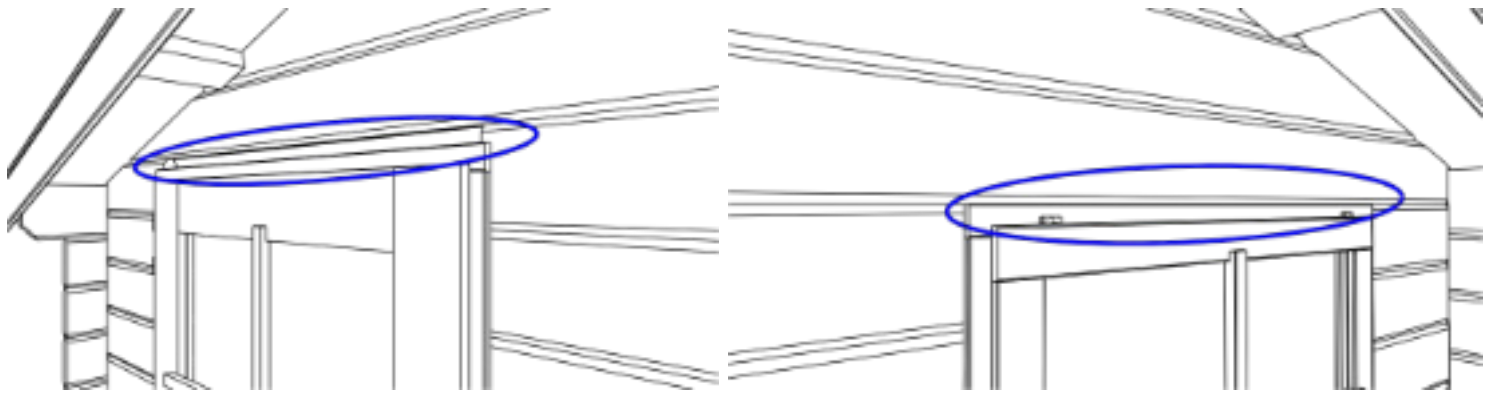


During the year, the door may no longer close properly.
You can easily adjust it using the hinges.

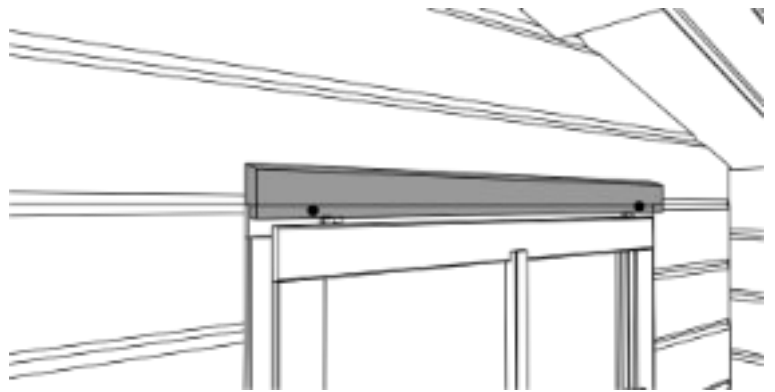
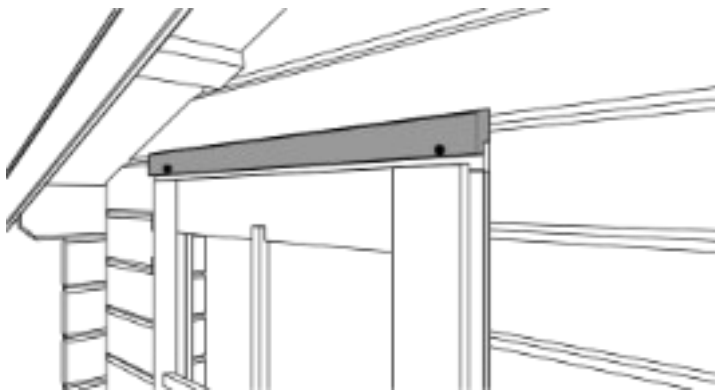
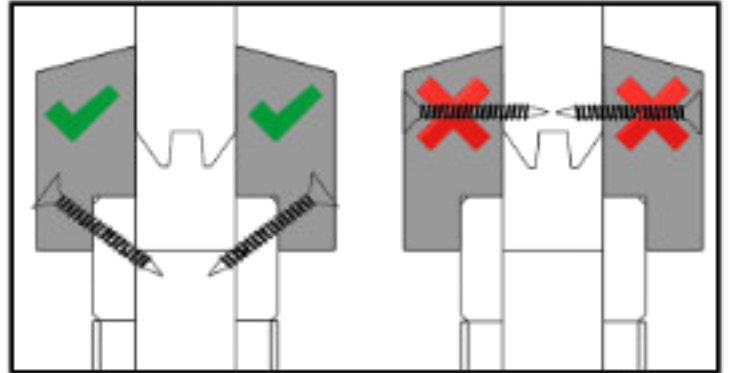
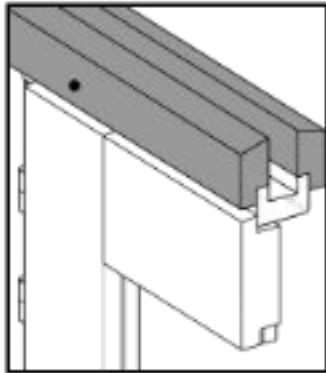
For models with a gate in the side wall, e.g. garage, please refer to the parts list.



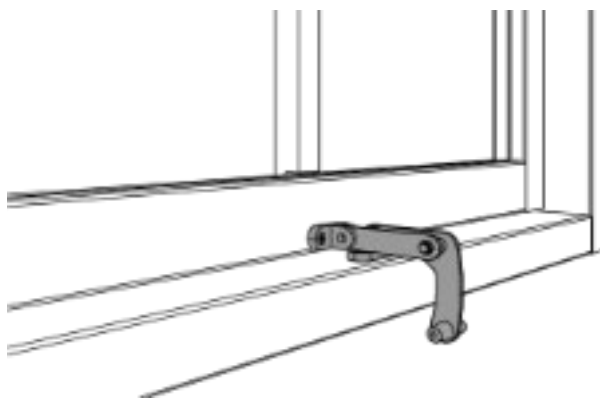
17.



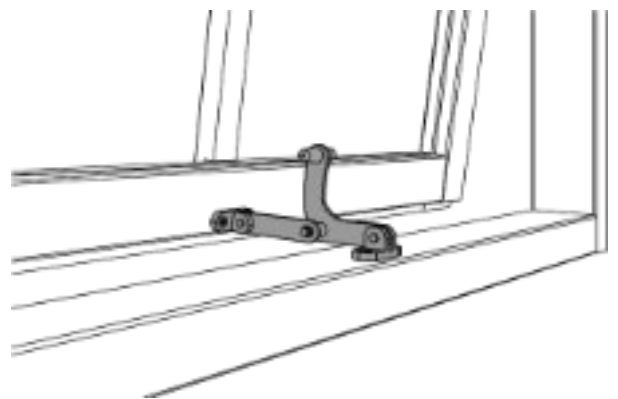
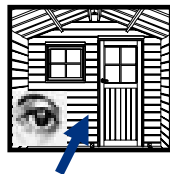
35 mm



18.



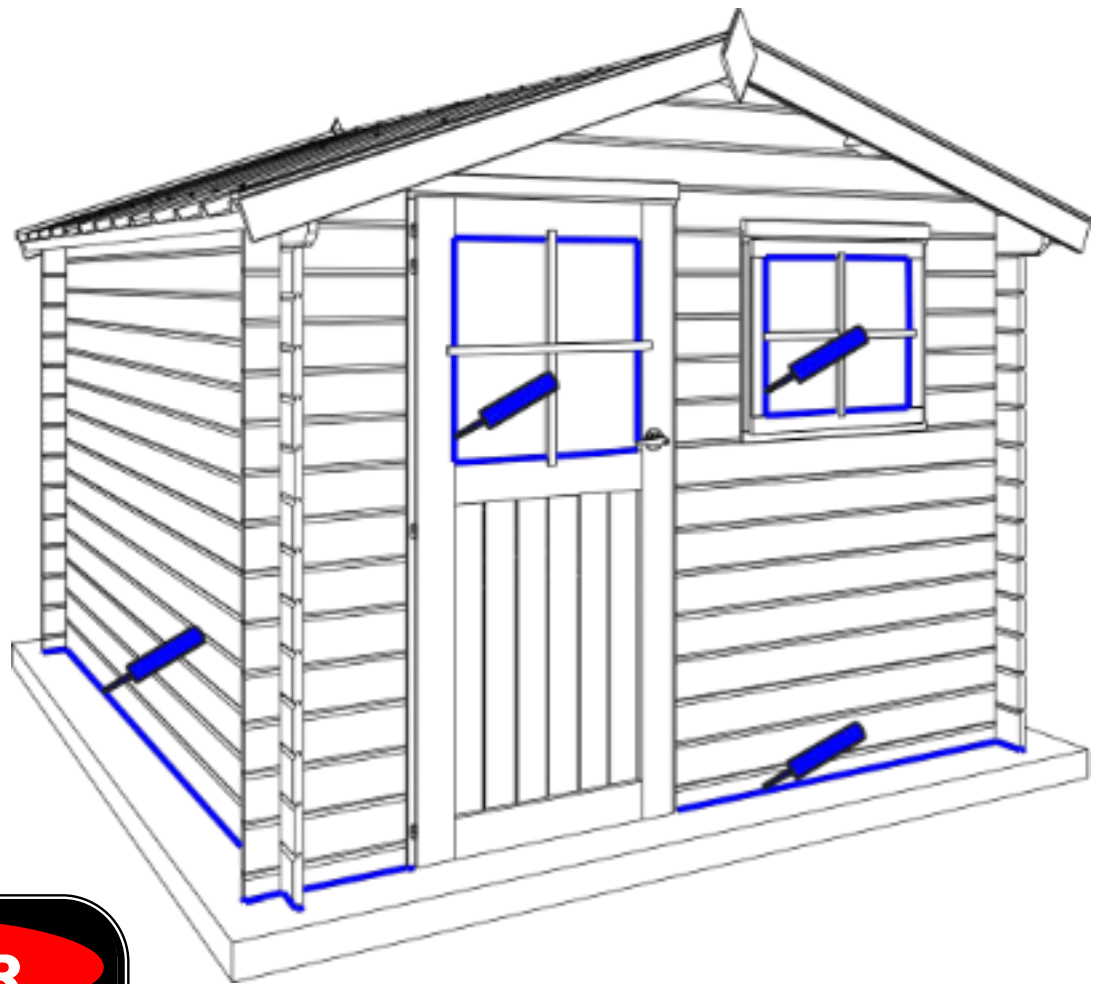
25 mm



19.

Seal the following items with silicone (not included):

- The joint between the log cabin and its base on the outside,
- Around the glass.



To make your log cabin storm-resistant, you will need to install storm bracing. This connects the roof and walls to the base. So make sure it is properly secured to the ground. Always ensure that you do not obstruct vertical shrinkage and expansion (see 'wood lives'). Gardenas dealers sell our standard storm bracing. An alternative is to attach a screw to both the top and bottom logs and stretch a nylon cord between them. In any case, you must ensure that the force of the storm bracing does not cause the wall to bulge.

If this is the case, you must adjust the bracing.

Maintenance: water, wind, snow and sun are the main enemies of your log cabin. Ask a specialist for advice if you have any questions about products, timing, etc. for treatment.

Product liability only applies if the log cabin has been assembled in full compliance with these assembly instructions.

WARRANTY

The product is made of wood, a natural product that, due to its outdoor placement, will continue to "live" and therefore requires ongoing attention. Assembly, treatment and anchoring will be carried out by or on behalf of the customer. Gardenas is therefore responsible for and provides a warranty on the product and its components themselves, but not for the consequences of incorrect assembly, missing or inadequate anchoring, or incorrect or inadequate maintenance.

How long?

Unless otherwise stated, Gardenas offers a 5-year warranty on its products. Fittings and roofing are covered by a 2-year warranty. Products sold as pressure-impregnated are covered by an extended 10-year warranty against rot, mould and insect damage to the wooden parts.

The warranty period starts from the date of purchase.

What is covered by the warranty?

- The structural design of the product for safe and normal use.
- The correctness of the parts in terms of quantity and shape upon delivery. Any deviations must be reported no later than 14 days after delivery.
- The warranty is limited to the replacement of defective, damaged or unusable parts.

What is not covered by the warranty?

- Costs of (re)installation, production, assembly, treatment.
- Parts that are no longer in their original condition.
- Defective parts that were installed anyway.
- Minor deviations from the natural material, whether or not specified in the manual, which do not compromise the stability and expected lifespan of the product (e.g. knots, cracks, discolouration, slight deformations that can be assembled and will have no impact after assembly or will be invisible after assembly, etc.).
- Damage, deformations or defects resulting from ignoring to strictly follow the advice and instructions in the product manual and/or incorrect or careless use of the product, as well as damage caused by poor foundations.
- Damage and degradation and their consequences due to inadequate treatment of the product.
- Damage caused during transport and storage, whether or not due to extreme humidity, if transport and storage were not carried out under Gardenas' management.
- Damage caused by third parties, animals, insects (except if the product was delivered pressure-impregnated) and termites.
- Natural ageing or discolouration of the product.
- Damage caused by a roof load (e.g. snow) of more than 50 kg/m².
- Direct or indirect damage to items and materials stored in or under the product.
- Consequences of force majeure: storms, natural disasters, floods, vandalism, etc.

Parts availability and delivery

Gardenas guarantees the availability of all parts or a valid alternative for each part for up to 5 years after purchase of the product, regardless of whether the part is still under warranty or not.

Gardenas will make every effort to provide any replacement parts as quickly as reasonably possible. Gardenas will deliver the parts in the same manner and to the same location as it delivered the original product.